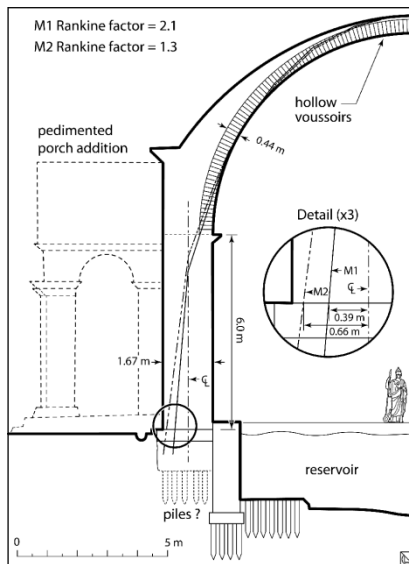


# Using Structural Analysis as an Archaeological Tool

**Dr. Lynne Lancaster**  
Professor, Classics and World Religions  
Ohio University



## Abstract:

In this talk I use thrust line analysis to examine the stability of a number of vaulted structures, each built with a different vaulting technique and located in a different Roman province. I focus on the various ways in which structural analysis can be used to answer questions about ancient structures both standing and collapsed. I also demonstrate how it can be used as a tool for testing proposed reconstructions of ancient building remains. Finally I examine the degree to which this type of structural analysis can provide insight into the broader social and political context of the buildings examined.

**March 8, 2017**  
**4:30pm**  
**106 McCormick Hall**